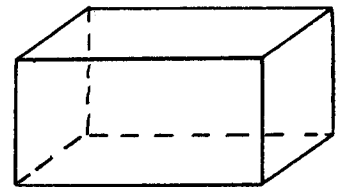


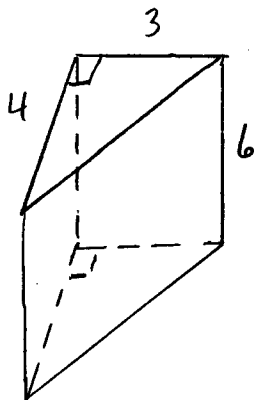
REVIEW
(10-3 and 10-5)

1. Complete the table for rectangular prisms:

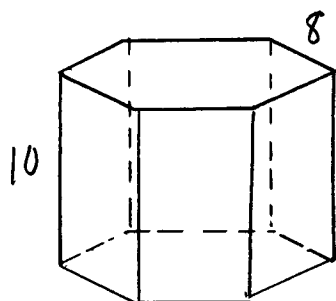
<i>length</i>	<i>width</i>	<i>height</i>	Surface Area	Volume
25	15	2		
12		4	192	
15	4			180



2. Find the **surface area** and **volume** of the following:

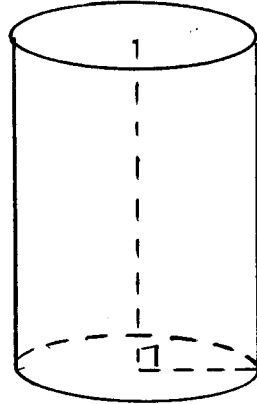


3. Find the **volume** of the regular hexagonal prism:



4. Complete the table for right cylinders:

<i>radius</i>	<i>height</i>	Surface Area	Volume
3	6		
10		380π	
	4		64π



5. The surface area of a cylinder is 90π . If $h = 12$, find r .